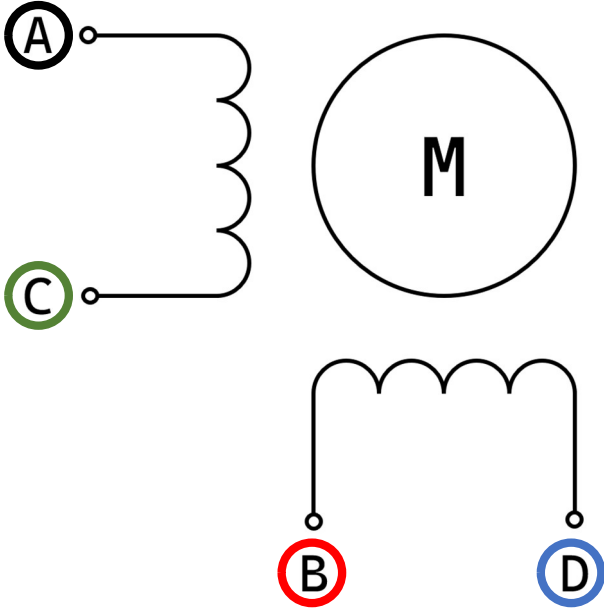
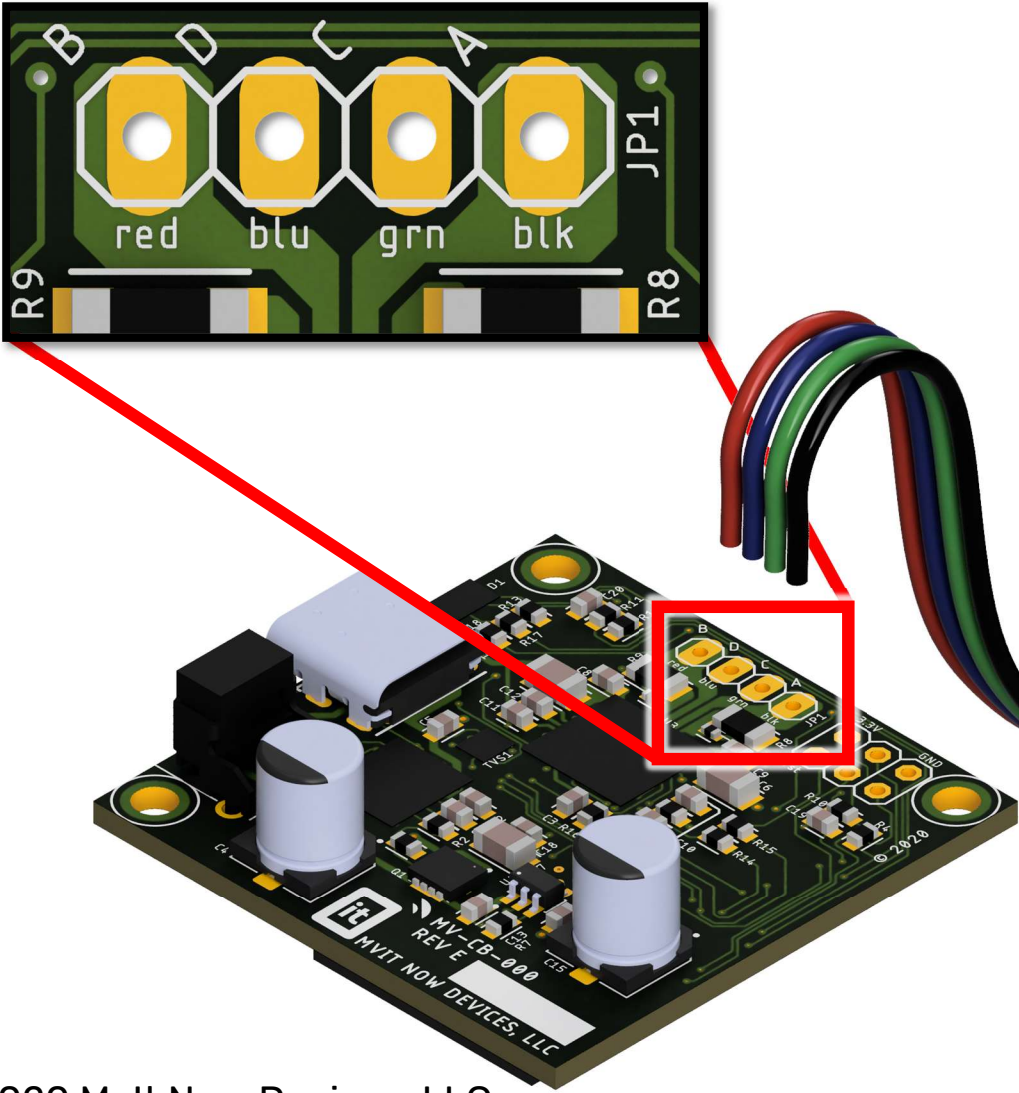


Wiring Assembly



Solder the motor wires to the pads on the board as shown.

The pad labels A-B-C-D should correspond to the stepper motor phase wires as shown on the right.