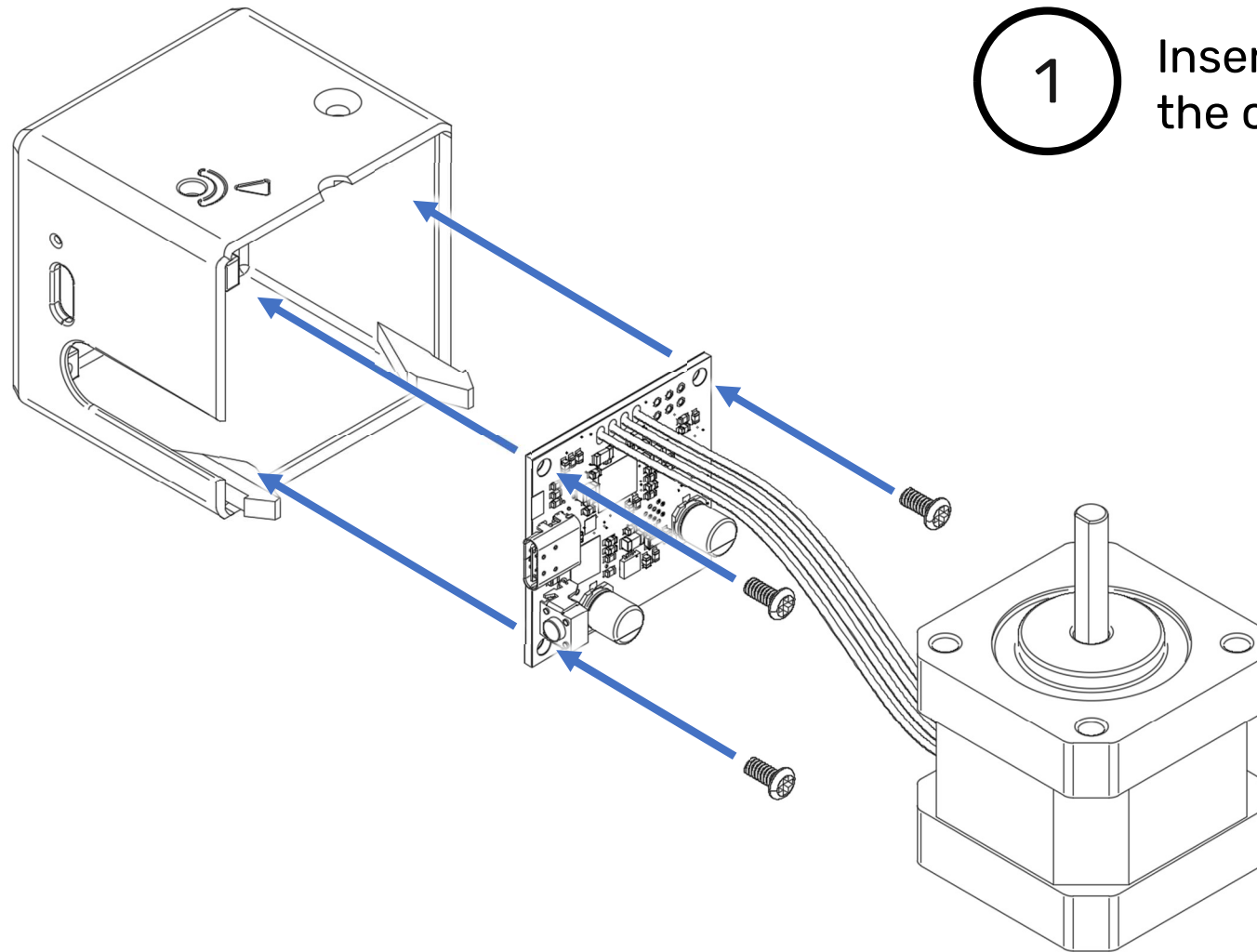


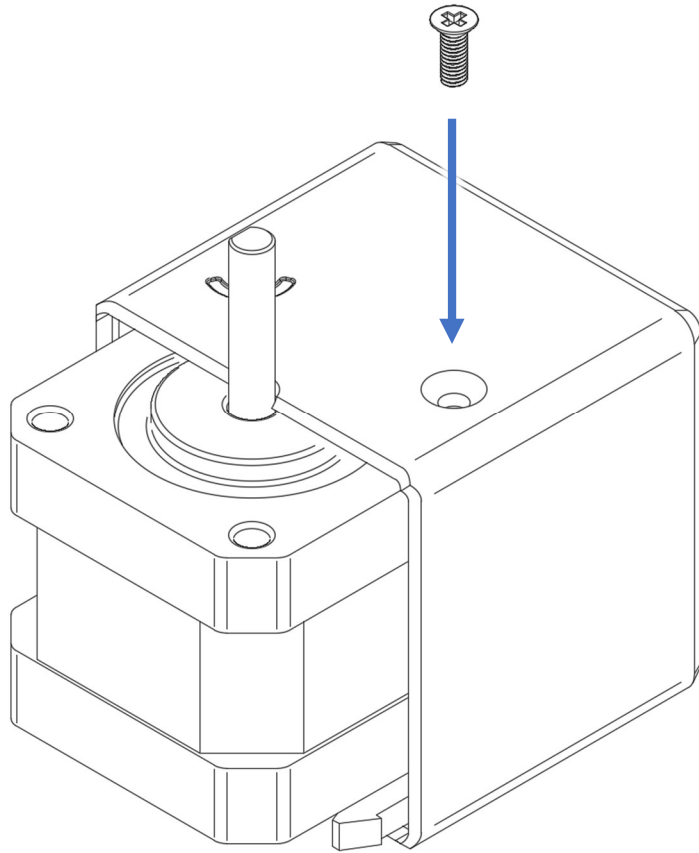
Shell Assembly



1

Insert three (3) #4 screws to attach the controller board to the shell

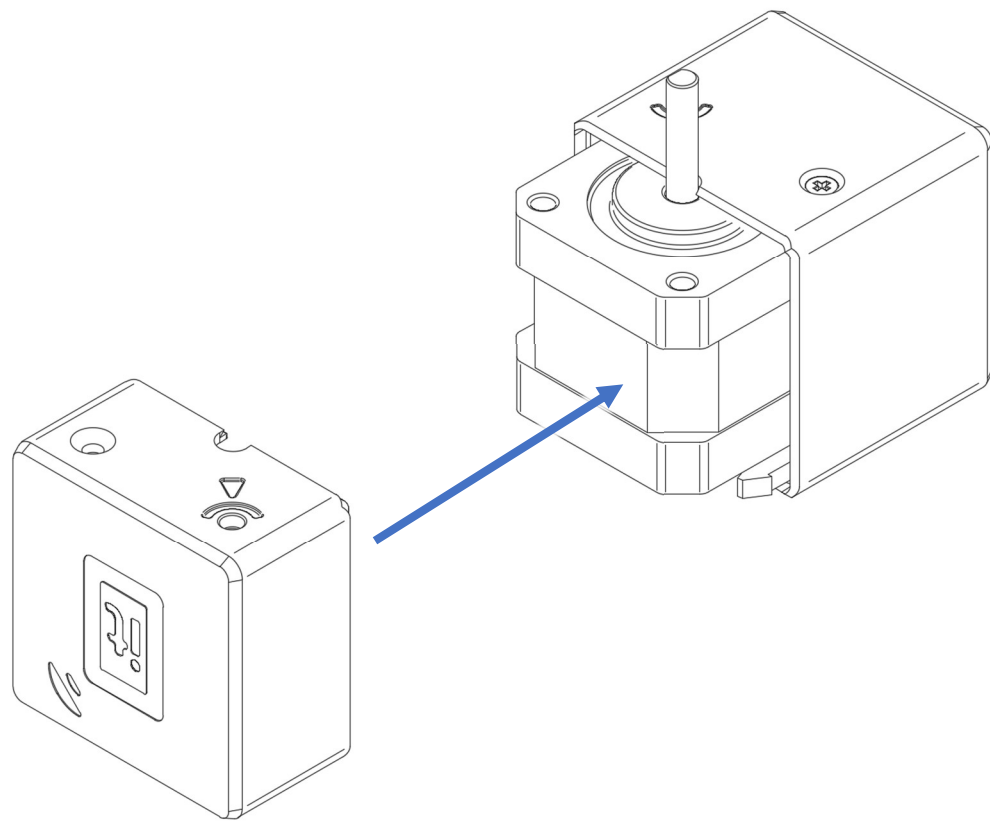
Shell Assembly



2

Insert one (1) M3 screw to secure the motor to the bottom half of the shell

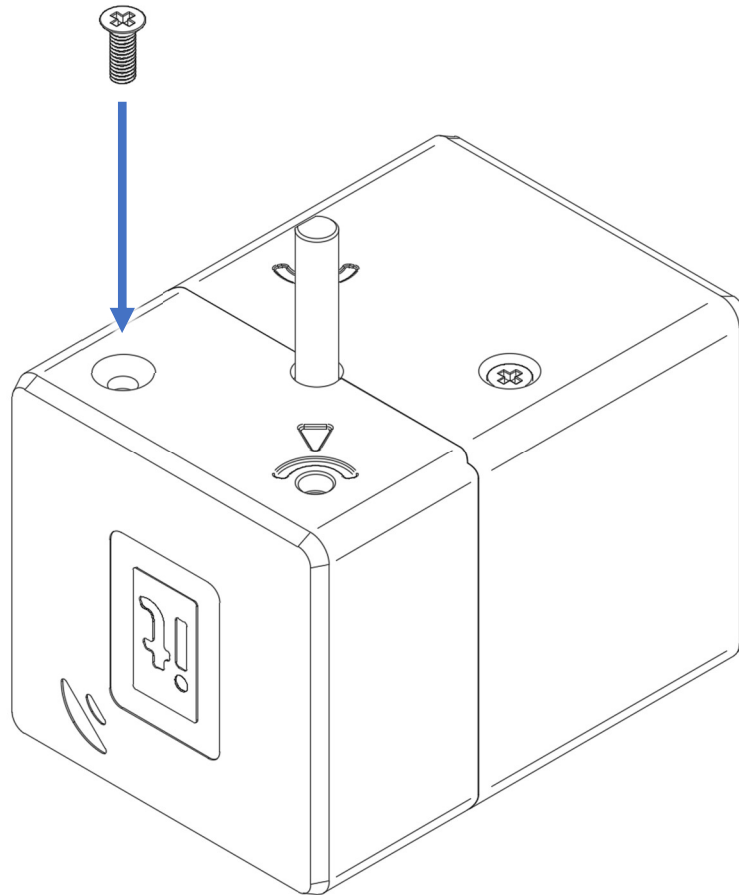
Shell Assembly



3

Snap the top half of the shell in place

Shell Assembly



4

Insert one (1) M3 screw to secure the motor to the top half of the shell